

CSX-750A series

(2,000pcs/reel)



■ FEATURES:

- Precision PLL technology enables up to 140MHz high frequency output.
- Extremely low jitter.
- Ultra-miniature low profile SMT package.
- Ceramic leadless chip carrier with seam-welded metal lid.
- Low power CMOS IC.
- Supply voltage 5.0V and 3.3V.
- Output enable or Stand-by function.
- Reflow soldering.
- Tape and reel packaging.

■ APPLICATIONS:

- Can be used for a wide range of applications including use in communication equipment, AV equipment, OA equipment and measuring instruments.

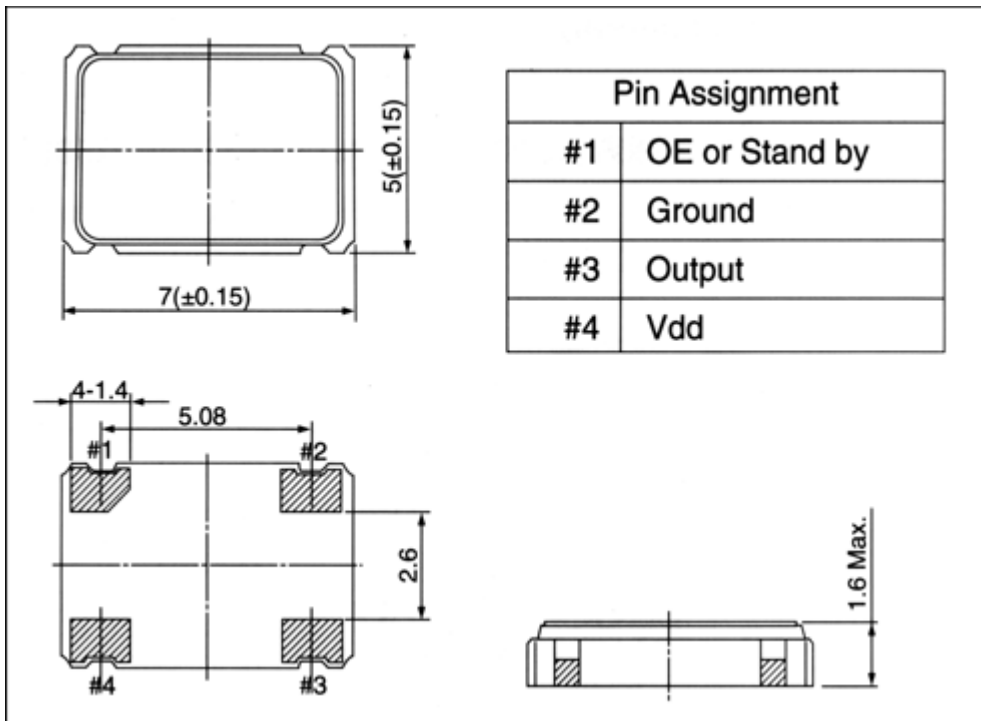
■ STANDARD SPECIFICATIONS

Item	OE	CSX-750AC(*)	CSX-750AB(*)
	STAND-BY	CSX-750AD(*)	CSX-750AJ(*)
Frequency range		40.0000MHz to 140.0000MHz	40.0000MHz to 140.0000MHz (40.0000MHz to 140.0000MHz)
Frequency stability (*)		C: ±100ppm B: ±50ppm (-20°C to +70°C) F: ±100ppm (-40°C to +85°C)	
Operating temperature range		-20°C to +70°C (-40°C to +85°C)	
Storage temperature range		-55°C to +125°C	
Supply voltage		V _{DD} :5.0V±0.5V	V _{DD} :3.3V±0.3V(3.0V±0.3V)
Supply current		50mA Max.	30mA Max.
Duty	TTL level (1.4V)	40% to 60%	—
	CMOS level (V _{DD} /2)	45% to 55%	45% to 55%
Output voltage	V _{OH}	V _{DD} -0.5V Min	V _{DD} -0.4V Min
	V _{OL}	0.5V Max	0.4V Max
Output load	TTL	10TTL Max.	—
Output load	CMOS	30pF Max.	15pF Max.
Rise & Fall time	TTL	tr, tf: 2.5nsec Max.	—
	CMOS		tr, tf: 2.5nsec Max.
Start up time		4msec Max.	4msec Max.
Input (OE) voltage		V _{IH} : 2.0V Min.	V _{IH} : 2.0V _{DD} Min.
		V _{IL} : 0.8V Max.	V _{IL} : 0.8V _{DD} Max.

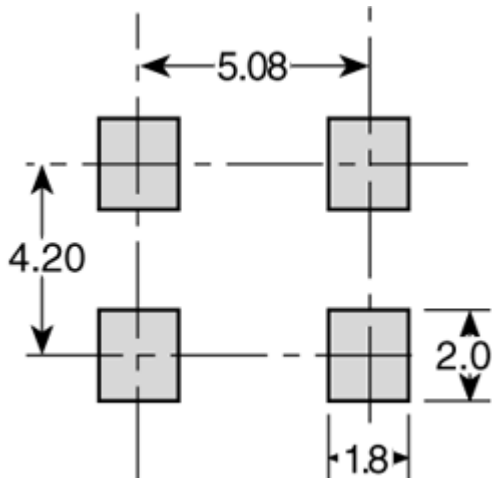
Output Disable current AC AB	15mA Max.	10mA Max.
Stand-by current AD AJ	20uA Max.	15uA Max.
Absolute Clock Period Jitter, 125MHz	±70ps TYP.	
1 Sigma Clock Period Jitter, 125MHz	25ps TYP.	
Cycle to Cycle Jitter, 125MHz	±70ps TYP.	
Shock resistance	±20ppm MAX. (75cm height drop on hardwood board 3 times.)	

NOTE: Please contact us for availability of TTL tight-duty and operating temperature range (-40°C to +85°C).

■ DIMENSIONS: (UNIT=mm)



■ RECOMENDED SOLDERING PATTERN: (UNIT=mm)



[Back](#)